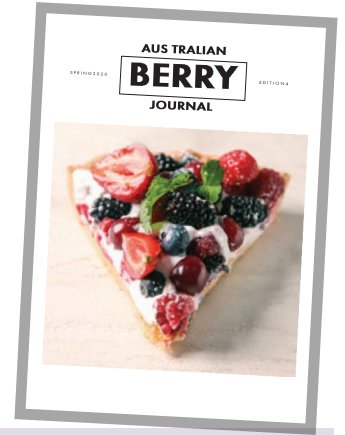


ADVERTISING SPECS



For queries, please contact:

admin@berries.net.au | 0491 751 123

For custom packages, please contact:

Jen Rowling | jenrowling@berries.net.au | 0448 322 389

SPECIFICATIONS

All artwork to be supplied in InDesign/Illustrator/ print ready PDF formats in full colour CMYK	Convert all spot colours to CMYK before supplying artwork
All fonts must be outlined or supplied separately	Artwork can be created or amended for a small fee
All images to be supplied separately or embedded and must be minimum of 300dpi	Supply all artwork to admin@berries.net.au via email or use wetransfer.com for files larger than 4MB
Artwork must be a minimum of 300dpi Include minimum 5mm bleed on all artwork, please do not any add trim or bleed marks	Inserts* maximum size is A4, maximum pages 8. Quantity required & delivery address will be confirmed once booking has been completed

Artwork that does not meet these specifications will incur a \$110 Artwork Management Fee

**Cost of design & print of inserts not included. Design & Production quote available on request.*

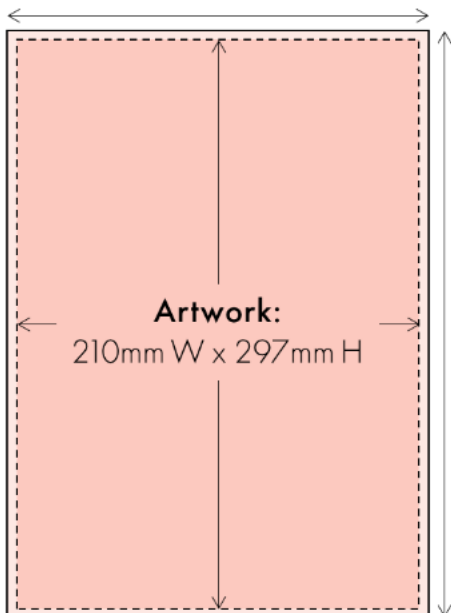
FULL PAGE:

210 W x 297 H mm

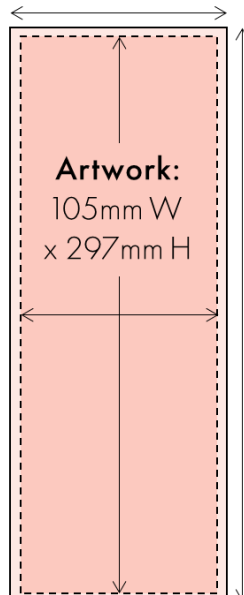
HALF PAGE (Vertical):

105 W x 297 H mm

Artwork + 5mm bleed on all sides:
220mm W x 307mm H



Artwork
+ 5mm bleed on all sides:
115mm W x 307mm H



HALF PAGE (Horizontal):

210 W x 148.5 H mm

Artwork + 5mm bleed on all sides:
220mm W x 158.5mm H

